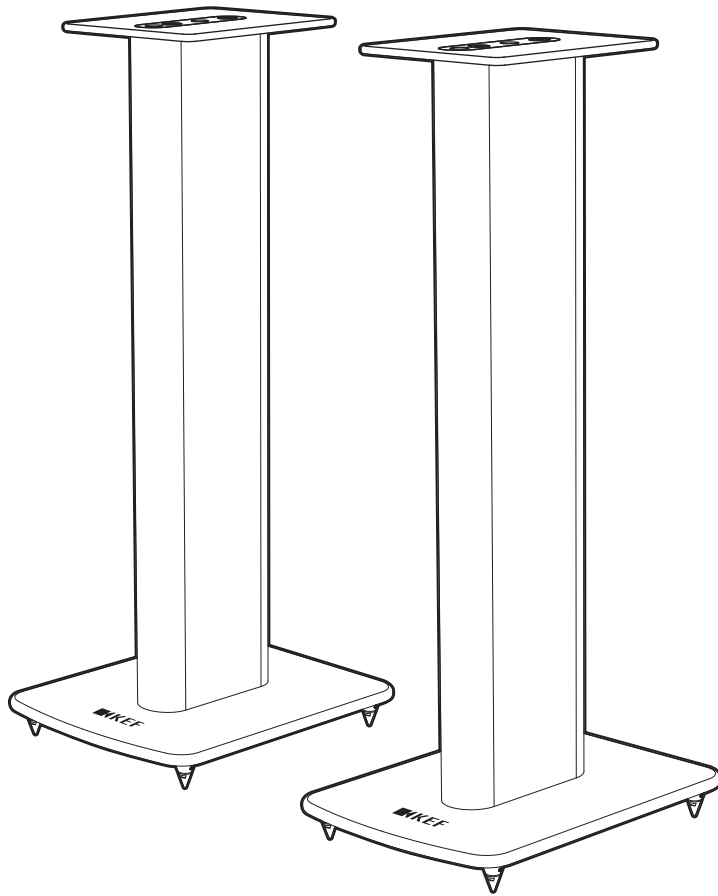




OBSESSED WITH HIGH RESOLUTION



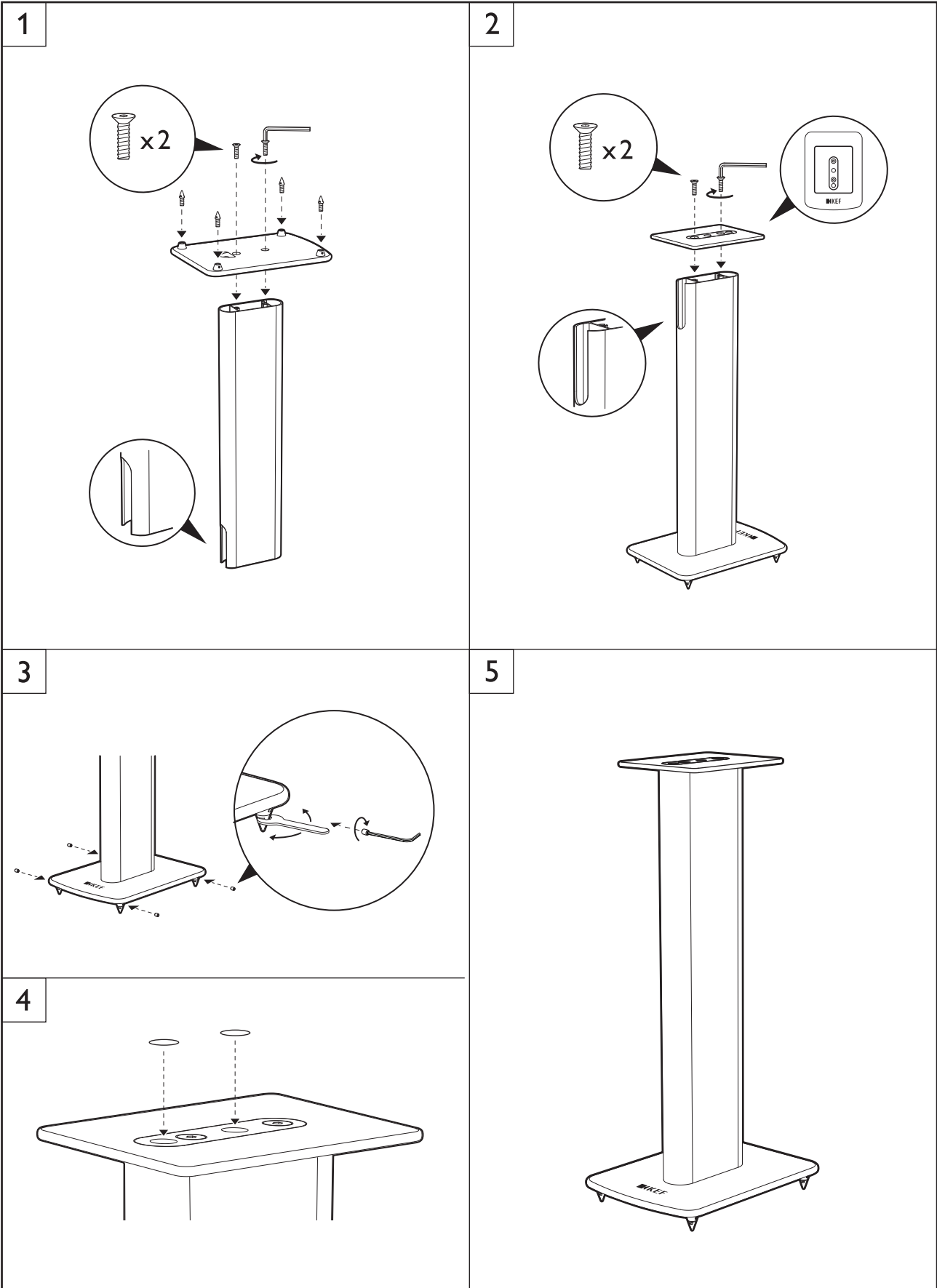
## Installation and Speaker Placement Guide

---

Performance Speaker Stand

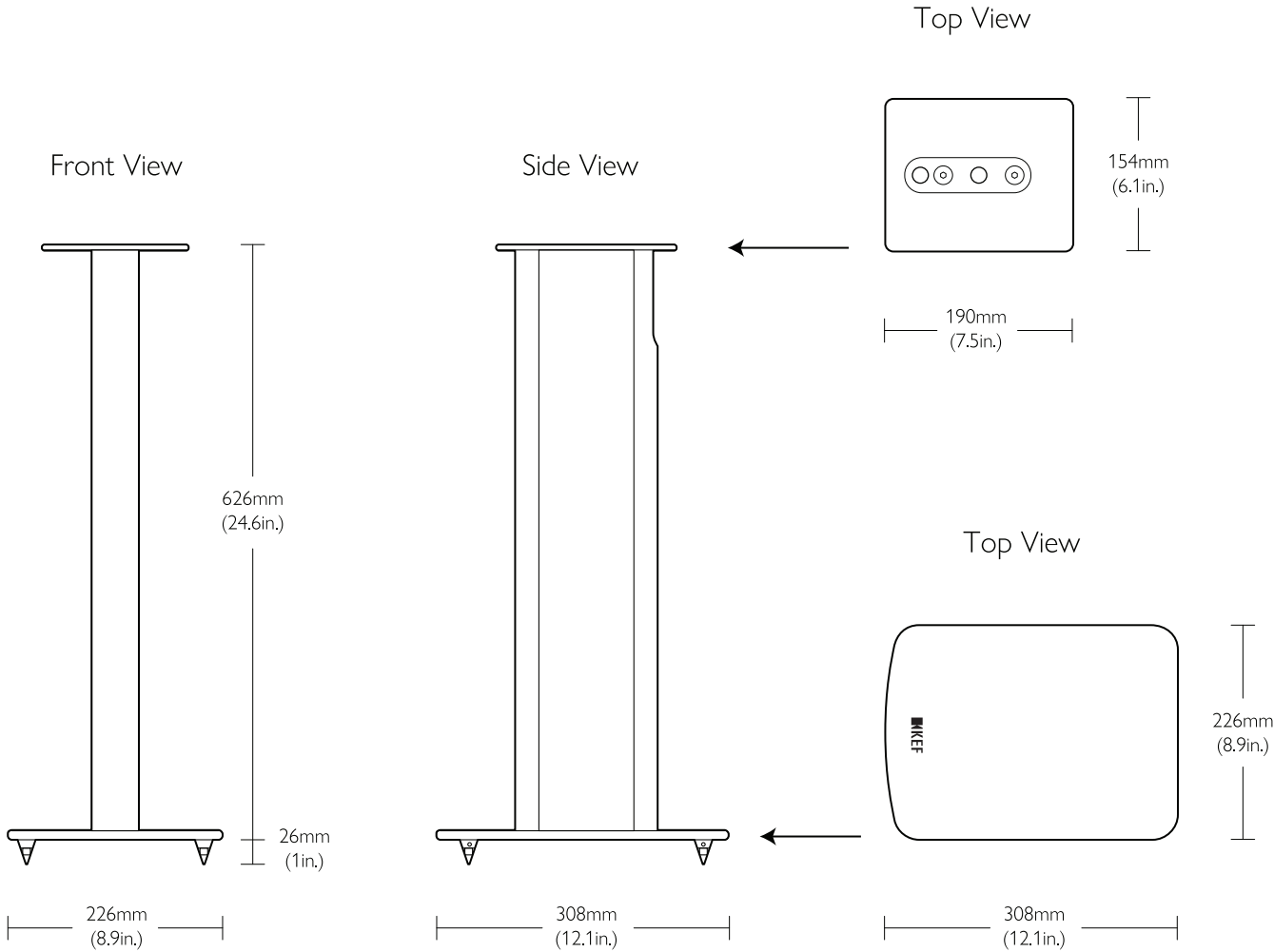
---

# Installation Instructions



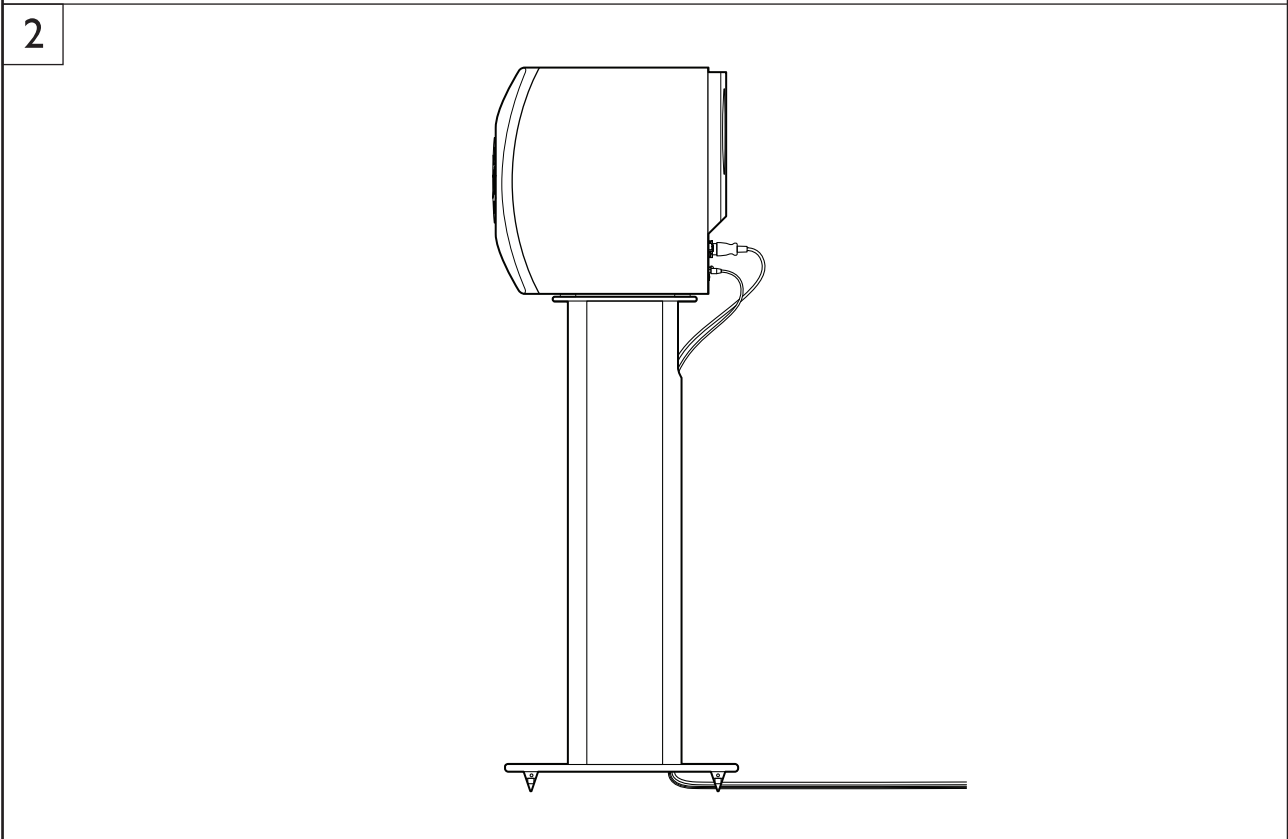
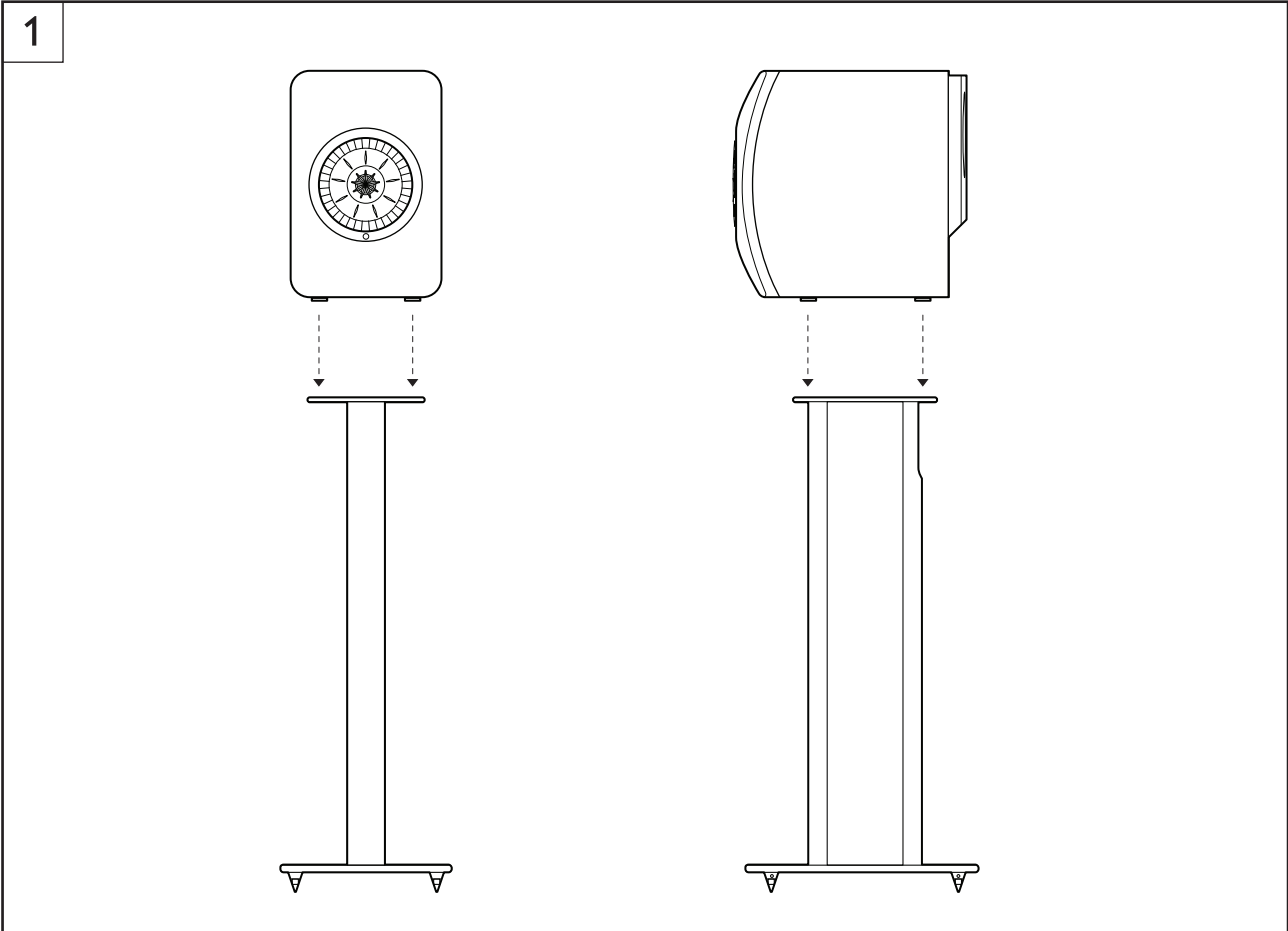
# Specifications

---



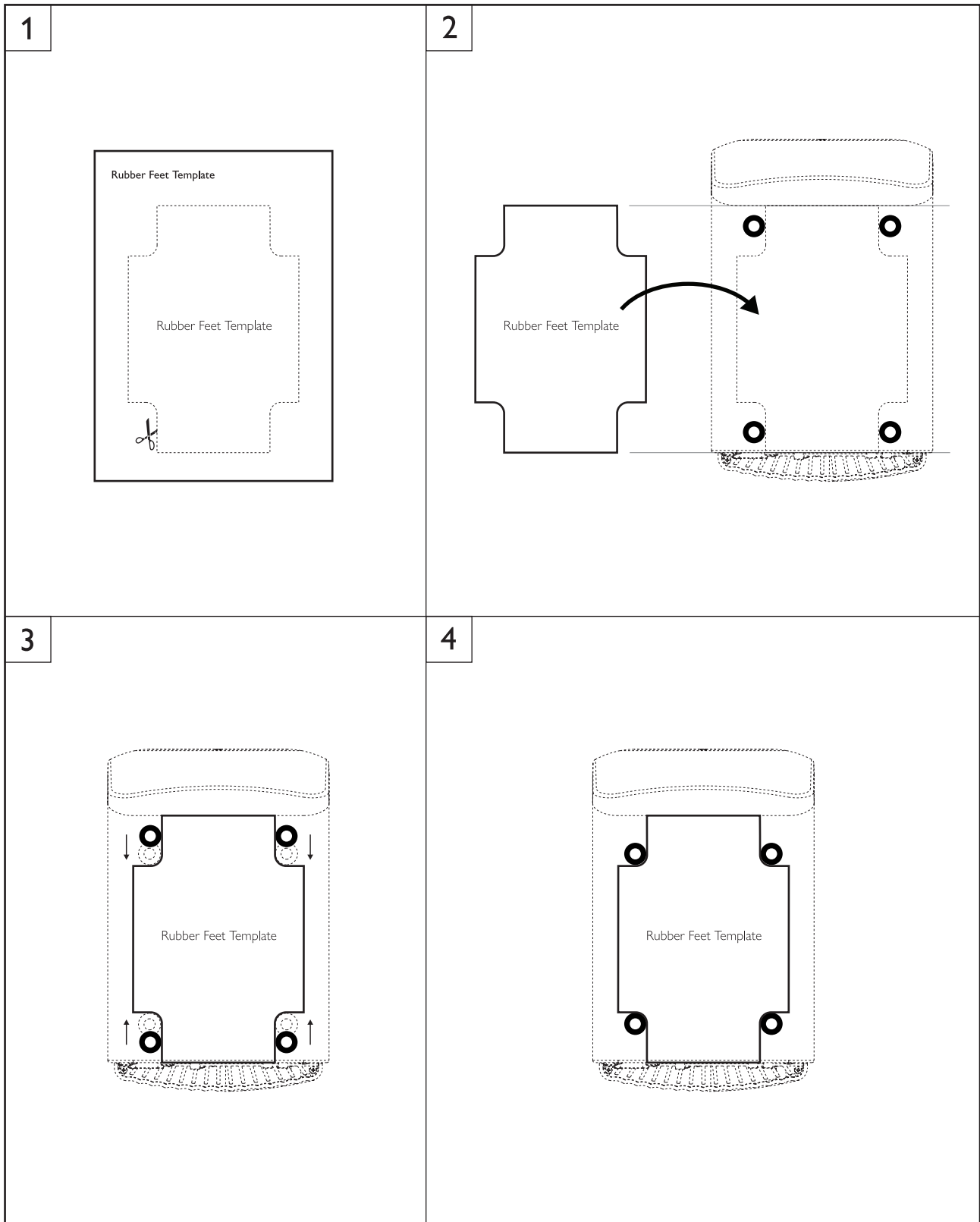
Weight per stand: 4.65kg (10.3 lbs)

# LS50 / LS50 Wireless Speaker Placement on Stand



# Troubleshooting

If your LS50 Wireless does not sit perfectly on the KEF Performance Speaker Stand, please follow below instructions to relocate the rubber feet.



# Rubber Feet Template

Print as A4 and in 100%

