



OBSESSED WITH HIGH RESOLUTION

# LSX Accessories

## S1 Floor Stand

### LSX Accessories

Consisting of three models – the S1 (floor stand), the B1 (wall bracket) and the P1 (desk pad) – the LSX Accessories family maximises the flexibility of LSX, allowing for effortless integration into the listening environment whilst maximising performance. A mixture of premium materials, exquisite design and useful features come together to ensure that, whether out in the room, on a table or affixed to the wall, LSX continues to deliver in style.

### S1 Floor Stand

For those who prefer the more traditional route, the S1 floor stand borrows cues from LS50W's Performance Speaker Stand. A cable management system easily hides any trailing wires, leaving behind the slim outline of the stand. The integrated mounting system rigidly bonds LSX and the stand together, creating the perfect platform from which LSX can perform.



### Features:

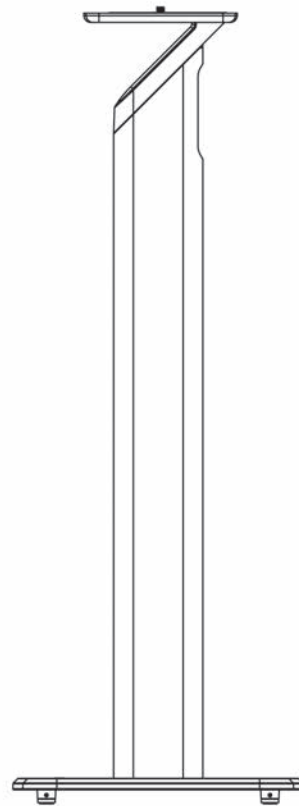
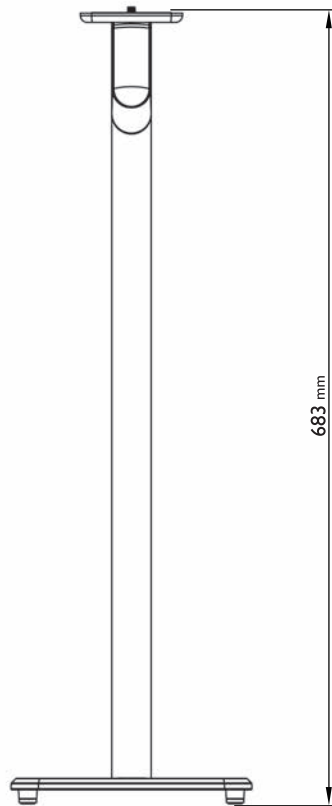
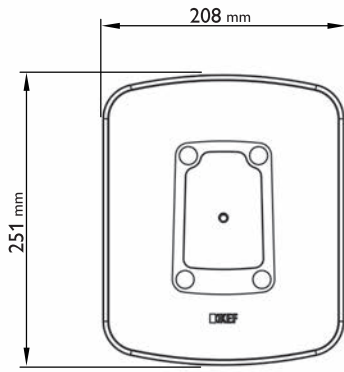
- 1/4" screw mounting for use with LSX
- Aluminium construction for rigidity and stability
- Integrated cable management system
- Fillable pillar
- Adjustable feet for easy levelling
- Rubber feet (can be replaced with third party floor spikes)
- Available finishes: Black / White





OBSSESSED WITH HIGH RESOLUTION

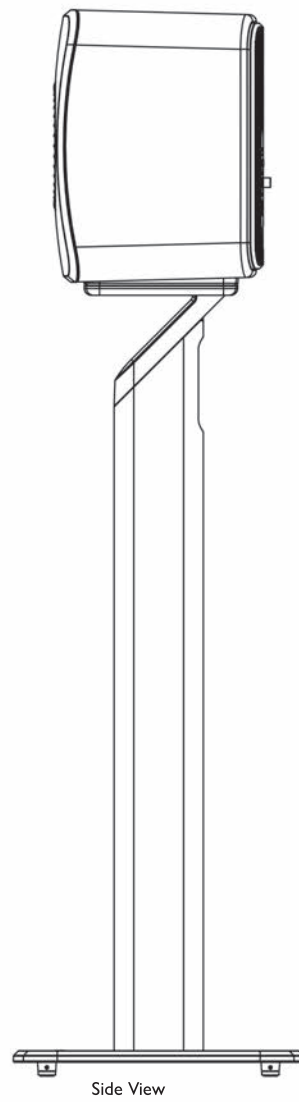
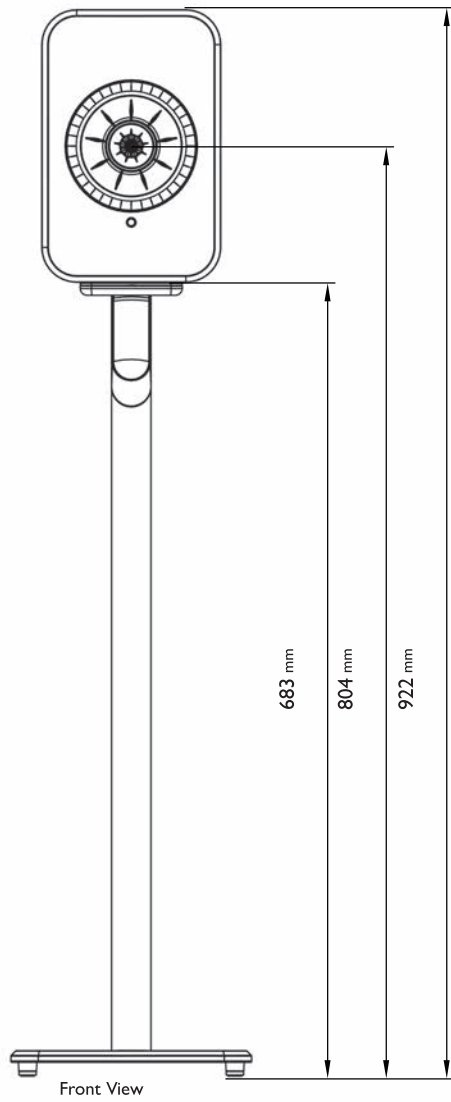
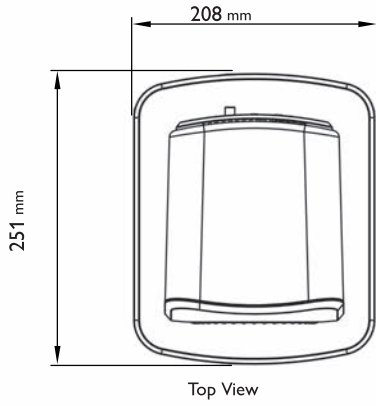
### Dimensions without LSX speaker





OBSSESSED WITH HIGH RESOLUTION

### Dimensions with LSX speaker



Visit: [KEF.com](http://KEF.com) for more about KEF and its products.

KEF reserves the right, in line with continuing research and development, to amend or change specifications. E&OE.